

Alert Station - 3080

Receiver • Amplifier • Decoder • Controller

New!



Optional strobe light shown



Sports Fields - Parks - Beaches



Factory and Distribution Centers



Material Yards




Construction Sites

Long range alerting via radio

Narrowband Ready!

Just Twist-n-Touch™ to change.

- Includes VHF or UHF field programmable receiver.
- Dtmf decoder standard. Two-tone / All-call paging opt.
- Exclusive Twist-n-Touch™ programming control.
Change frequency, dtmf & paging codes, bandwidth, relays, timing, audio control and more right from the unit. No laptop required.
- Multiple independent timers. Cycle, Hold or Pulse.
- "Learn" mode detects and stores new over-the-air paging signals on command.
- Available .wav player. Customized voice commands and/or alarm signals using your own laptop.
- Optional Clock - automatically triggers relays / audio.
- Weatherproof cabinet.  certified commercial radio.

Applications

- Sports Fields
- Plant Warning Systems
- Industrial Plants
- Recycling Centers
- Campus Buildings
- Rail yards
- Beach / Parks
- Security



Genave Electronics

www.Genave.com

support@Genave.com

Standard Features:

Decoders

- ◆ DTMF
- ◆ Two-Tone Opt.

Inputs

- ◆ 8 Digital Inputs
- ◆ 8 Aux inputs
- ◆ 4 User Switches

Outputs

- ◆ 5 Relays
- ◆ 8 Solid-state
- ◆ 600 Ohm Audio
- ◆ Amplifier Control

Radio Interface

- ◆ UHF
- ◆ VHF
- ◆ LF SSD Encrypted
- ◆ 433 ISM US & Euro

Cabinet

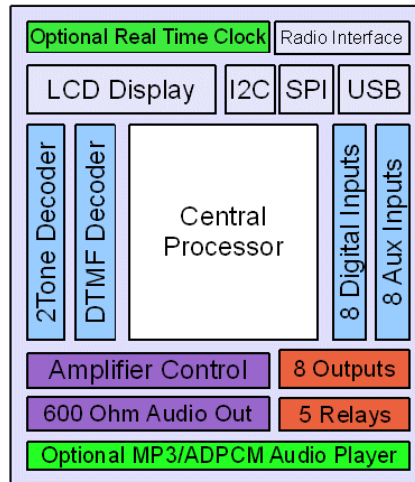
- ◆ Weatherproof
- ◆ NEMA-4X
- ◆ UL Listed

Power

- ◆ AC 95V to 240V

Optional Features:

- ◆ Real Time Clock
- ◆ Battery Backup
- ◆ Solar Power
- ◆ High Power Amp
- ◆ Audio player
- ◆ Tone Paging Dcdr



Flexible Operation.

The RXC-3080 packs greater flexibility, into a smaller size than any previous version.

Radio commands can start, stop, pulse, cycle, latch or engage individual relays for variable hold times, based on the radio command.

The RXC-3080 was designed for quick programming, installation and field service. Changes are easy with the backlit LCD screen and Twist-n-Touch™ knob control.

Optional Real Time Clock can start actions based on time of day or week, and also log time / date of switch and radio actions.

The Audio player allows you to make custom messages right on your computer, in any language. You can also create and play any sounds or emergency tones.

PA messages can be directed through the amplifier control or the new 600 ohm interface port to alert or direct personnel with live voice feeds. Individual level adjustments allow you to balance radio audio, wav audio and PWM signals.

General Specifications:

Enclosure Size	15.7 x 11.8 x 8.2	Inches
AC Power	95 to 240	Volts AC, 50 or 60 Hz
Output Relay V/I	250V / 6A (AC), 100V /5A (DC)	
RF Frequencies	VHF 148 - 174 MHz	UHF 450 - 490 MHz
Bandwidths (both RF ranges)	Wide 25 kHz	Narrow 12.5 kHz
CTCSS and DCS Codes	All standard codes. Field adjustable.	
Digital Output Transistors	30V, 200mA maximum	
DTMF Decoder Speed min.	20 mSec Mark, 20 mSec Space	
DTMF String Length	16 codes, 32 characters per string	
2 Tone Decoder Range	280 Hz to 4000 Hz	
2 Tone Decoder Speed	600 mSec min, 25 Sec max	
2 Tone Memory	20 codes, Indiv or Group-call. Std/Custom	

Optional Specifications:

Real Time Clock, DST	Automatic Daylight Savings Adjust
Real Time Clock, # of events	10 triggered events. Hourly, weekly, monthly
Real Time Clock, History	512 Stored history events
ADPCM Audio songs/sounds	98 voice msgs or sounds (up to 1 hour)

